

应用于粉料的计量卸料和锁气旋转阀

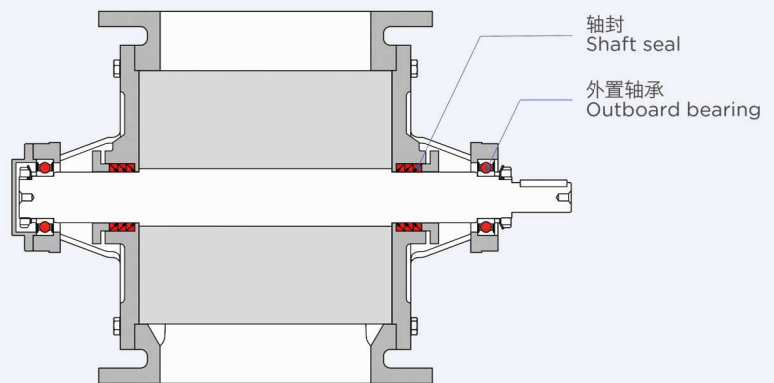
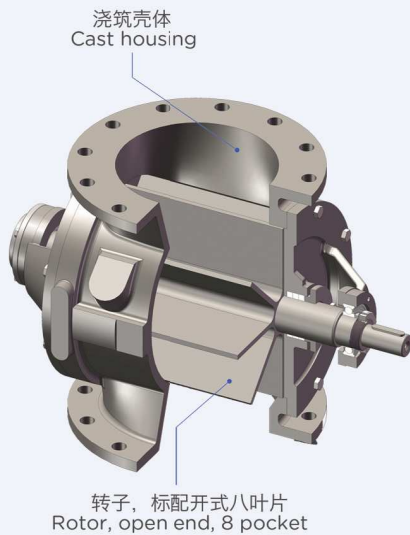
铸铁直通式旋转阀适用于气力输送系统，用于定量输送并能很好地控制空气泄漏量，适用于各种粉末物料，在真空和压力环境都有不错的表现。带排料适配器/喂料筒，可将散料喂入气力输送系统，也可用于无排气口的情况下运行。

DISCHARGING AND METERING VALVE FOR POWDERS

Cast Iron rotary valves rotary valves are designed for general use on pneumatic conveying systems for both metering and airlock duties, suitable for both vacuum and pressure application on a wide variety of powders and granules, with feeding shoe also suitable for feeding material into pneumatic conveying systems, operation possible without leakage gas venting.

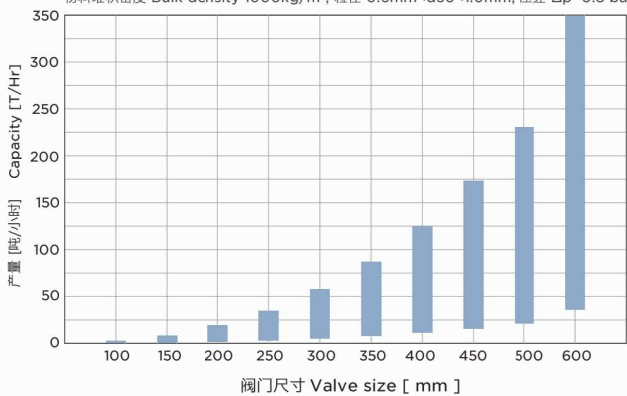


结构 STRUCTURES



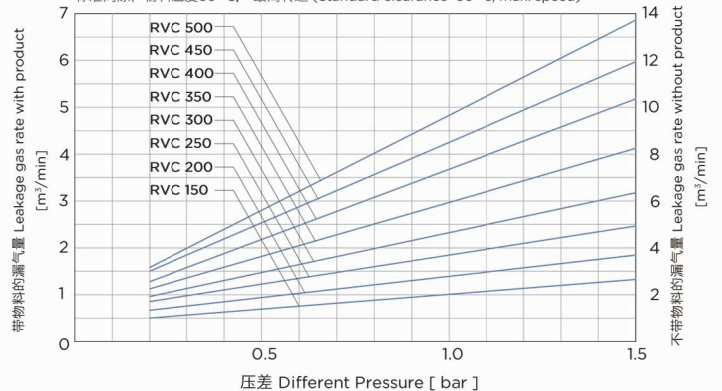
性能参考曲线 Performance diagram

物料堆积密度 Bulk density 1000kg/m³, 粒径 0.6mm<d50<1.0mm, 压差 Δp=0.8 barg



漏气量参考曲线 Leakage gas Diagram

标准间隙, 物料温度60 °C, 最高转速 (Standard clearance 60 °C, max. speed)



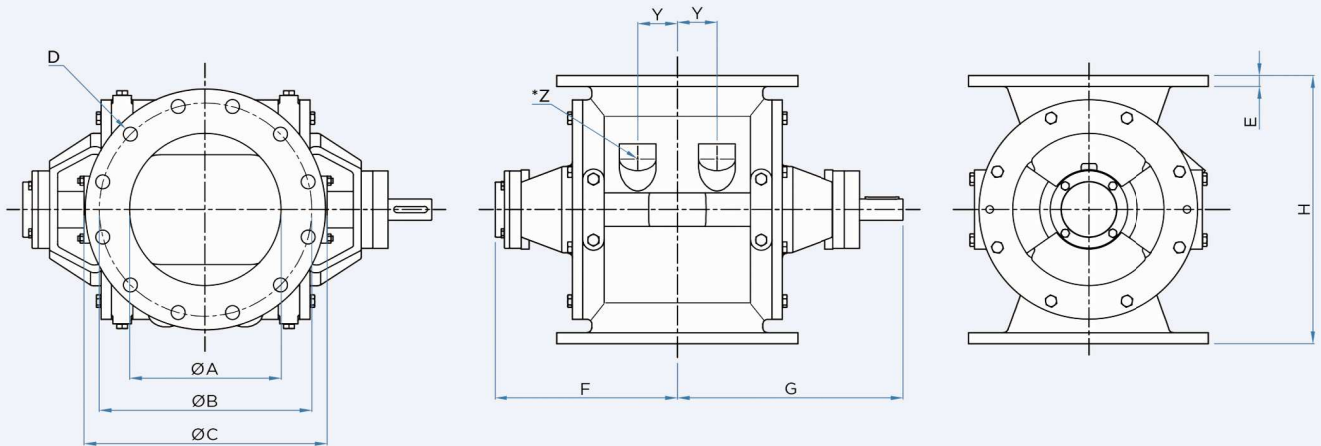
特点 FEATURES

- 材质为铸铁
Standard valve manufactured in cast iron
- 法兰钻孔尺寸标准: ANSI 150#, DIN PN10, JIS10K
Drilled flanges in accordance with DIN, ANSI, JIS standard
- 标配外置轴承
Outboard bearing are standard
- 在不超过250°C的高温下依然有良好的工作表现
High temperature execution up to 250°C
- 工作压力不超过1.5bar (21PSI)
Pressure difference up to 1.5 bar (21PSI)
- 标配开式8叶片
Open ended rotor with 8 vans

选配 OPTIONS

- 叶片可选6叶片, 10叶片, 12叶片
6 van, 10 van or 12 van rotor
- 转子类型: 闭式转子, 圆齿型转子, 小圆底转子, 可调、可换转子
Rotor design: close end, radius pocket and adjustable-tip
- 壳体内部电镀铬硬化处理, 内衬碳化物耐磨层
Interior coatings: hard chrome, tungsten, and Teflon
- 轴封根据需要, 采用气封或迷宫密封环
Air purge shaft sealing
- 壳体排气孔
Valve housing leakage gas venting
- 配件: 物料加速室, 接近开关, 排气仓, 气体吹扫系统
Accessories: Drop-out box, speed monitor, vent box

尺寸 DIMENSIONS



技术参数 PRAMETERS

型号 Model	容积 Ltr/Rev	进口口/出料口尺寸 Inlet*/Outlet							其它尺寸 Other Dimensions					
		Ø A	ØB DIN	ØC DIN	D DIN	ØB ANSI	ØC ANSI	D ANSI	E	H	F	G	Y	*Z
RVC 100	1	100	180	220	8×Ø18	—	—	—	10	190	180	240	—	—
RVC 150	4	150	240	285	8×Ø22	241.3	279	8×Ø22.2	15	320	225	275	37.5	1"
RVC 200	10	200	295	340	8×Ø22	298.4	343	8×Ø22.2	15	380	255	315	55	1½"
RVC 250	18	250	350	395	12×Ø22	361.9	406	8×Ø25.4	18	440	300	370	65	1½"
RVC 300	30	300	400	445	12×Ø22	431.8	483	8×Ø25.4	23	520	340	420	85	1½"
RVC 350	45	350	460	505	16×Ø22	476.2	533	8×Ø28.6	25	580	378	460	90	1½"
RVC 400	65	400	515	565	16×Ø24	539.7	597	8×Ø28.6	25	640	408	490	105	1½"
RVC 450	90	450	565	615	20×Ø24	577.8	635	8×Ø31.7	25	700	445	550	115	2"
RVC 500	120	500	620	670	20×Ø24	635	699	8×Ø31.7	30	780	480	595	130	2"
RVC 600	200	600	725	780	20×Ø30	749.3	813	8×Ø34.9	35	930	550	660	190	2"

*图形尺寸单位为毫米, 厂家保留技术修改的权利
*Note: Technical modification are possible, dimensions in mm