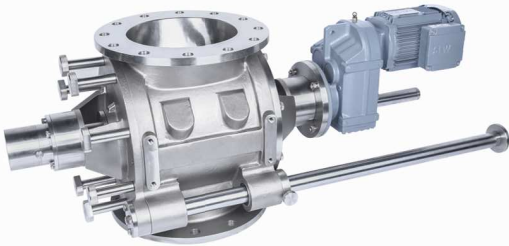


卫生级快速清洗旋转阀

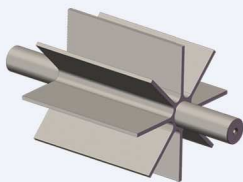
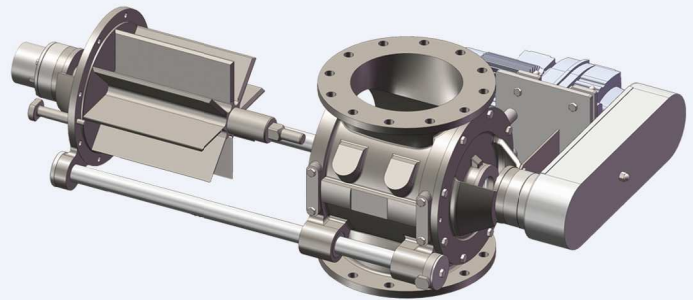
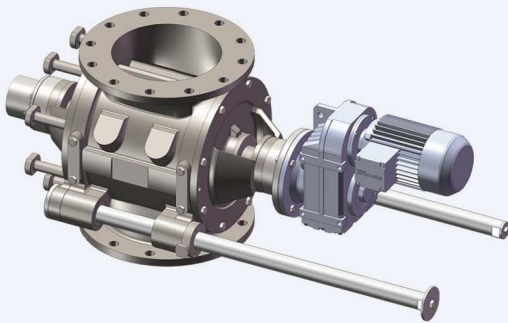
清洗型旋转阀拆卸方便，可以在几分钟内完成清理工作，符合高要求的卫生标准。设计专门用于乳品，食品，制药，营养品等的气力输送系统。带排料适配器/喂料筒，可将散料喂入气力输送系统，也可用于无排气口的情况下运行。



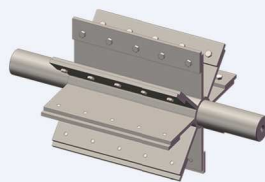
SANITARY FAST CLEAN VALVE FOR POWDERS

Easy Slide Rotor enables cleaning of the heavy duty rotary valves without tools or lifting equipment. Specially designed for dairy, food, pharmaceutical, nutritional products and other ingredients. with feeding shoe also suitable for feeding material into pneumatic conveying systems, operation possible without leakage gas venting.

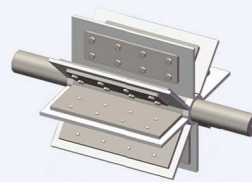
结构 STRUCTURES



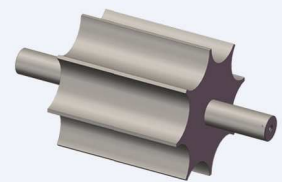
小圆底转子
Radius Pocket Rotor



可调、可换转子
Replaceable Blades Rotor



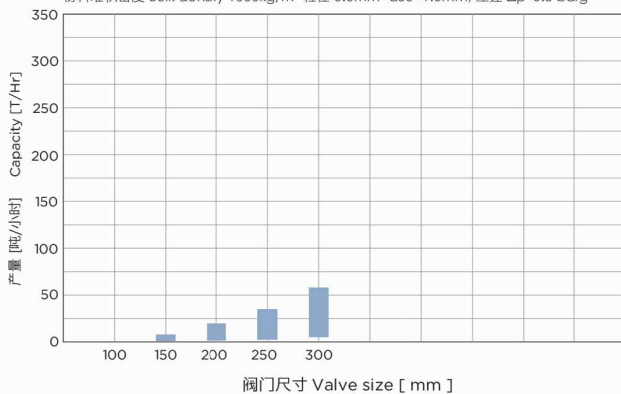
可调、可换柔性转子
Flex Tip Style Rotor



大圆底转子
Scalloped pocket

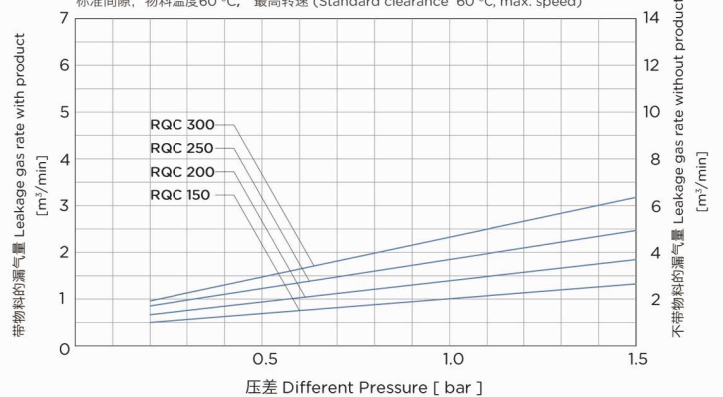
性能参考曲线 Performance diagram

物料堆积密度 Bulk density 1000kg/m³ 粒径 0.6mm<d50<1.0mm, 压差 Δp=0.8 barg



漏气量参考曲线 Leakage gas Diagram

标准间隙, 物料温度60 °C, 最高转速 (Standard clearance 60 °C, max. speed)



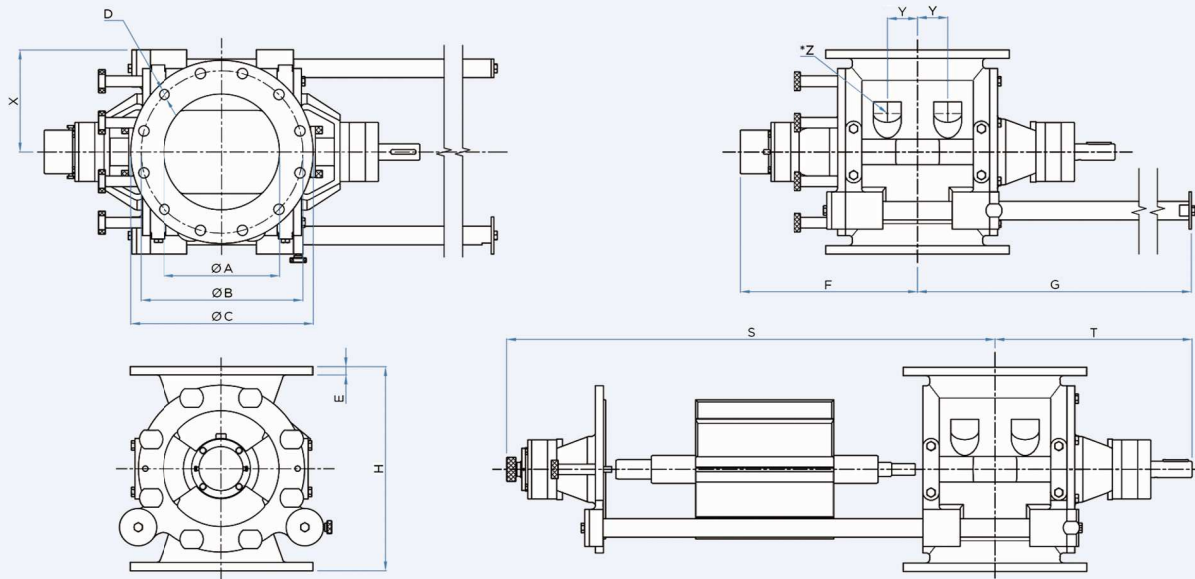
特点 FEATURES

- 材质为不锈钢304
Standard valve manufactured in SS304
- 法兰钻孔尺寸标准: ANSI 150#, DIN PN10, JIS10K
Drilled flanges in accordance with DIN, ANSI, JIS standard
- 重型易抽出滑竿
Heavy duty slide rail assembly
- 精密直线轴承
Twin track linear bearing assembly
- 工作压力不超过1.5bar (21PSI)
Pressure difference up to 1.5 bar (21PSI)
- 标配开式8叶片
Open ended rotor with 8 vans

选配 OPTIONS

- 叶片可选6叶片, 10叶片, 12叶片
6 van, 10 van or 12 van rotor
- 转子类型: 闭式转子, 圆齿型转子, 小圆底转子, 可调、可换转子
Rotor design: close end, radius pocket and adjustable-tip
- 壳体内部电镀铬硬化处理, 内衬碳化物耐磨层
Interior coatings: hard chrome, tungsten, and Teflon
- 轴封根据需要, 采用气封或迷宫密封环
Air purge shaft sealing
- 壳体排气孔
Valve housing leakage gas venting
- 配件: 物料加速室, 接近开关, 排气仓, 气体吹扫系统
Accessories: Drop-out box, speed monitor, vent box

尺寸 DIMENSIONS



技术参数 PRAMETERS

型号 Model	容积 Ltr/Rev	进料口/出料口尺寸 Inlet*/Outlet							其它尺寸 Other Dimensions								
		ØA	ØB DIN	ØC DIN	D DIN	ØB ANSI	ØC ANSI	D ANSI	E	H	F	G	S	T	X	Y	*Z
RQC 150	4	150	240	285	8×Ø22	241.3	279	8×Ø22.2	15	320	300	695	885	320	152	37.5	1"
RQC 200	10	200	295	340	8×Ø22	298.4	343	8×Ø22.2	15	380	330	755	945	350	187	55	1½"
RQC 250	18	250	350	395	12×Ø22	361.9	406	8×Ø25.4	18	440	380	870	1040	420	220	65	1½"
RQC 300	30	300	400	445	12×Ø22	431.8	483	8×Ø25.4	23	520	435	940	1180	465	259	85	1½"

*图形尺寸单位为毫米, 厂家保留技术修改的权利

*Note: Technical modification are possible, dimensions in mm